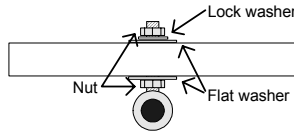


Installation Instructions for Triple Hood Hanger & TH-Combo Kit.

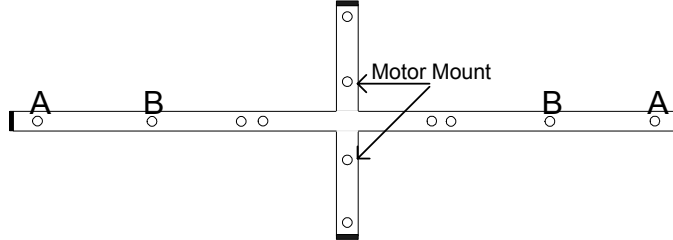
Tools required: 7/16" box end wrench

1. Remove eye-Bolts, washers, and nuts from the shipping package. These are used in conjunction with the chains and "s'-hooks to hang the hood:

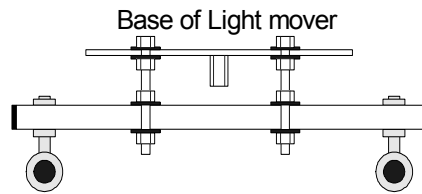
Eye-Bolt fastening hardware



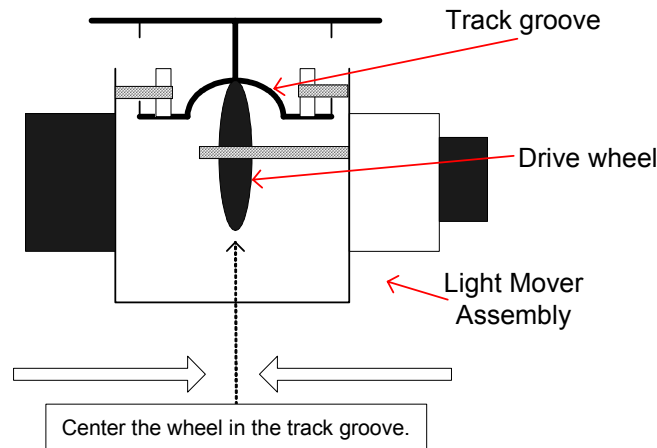
2. Identify the motor mount locations and fastening hardware that connect the Triple Hood Hanger to the light mover.



3. Loosen the bolt located at the center of the light mover frame to ease installation of the two bolts (PART #0030-00010) used for the triple hood hanger. Tighten the fastening hardware 15 to 20 inch pounds to the base of the light mover as shown below:



4. Now follow the installation instructions included in the light mover kit to install the motor to the rail.
5. Sometimes it may be necessary to adjust the drive wheel of the motor to ensure that the lamps are level. If the drive wheel does not meet the rail in the center of the groove as shown below, it will cause the hoods to travel unevenly. Adjustment can be obtained by gently sliding the drive wheel from one side or the other with a small screw driver until it is centered in the groove.



6. Plug the mover AC receptacle into a 110 volt outlet and allow it to travel while checking for interference issues. Be sure there is enough travel for the AC cord, mover and hood hanger to operate freely.