

## 2x4, 3x3, 4x4, 4x6 & 3x6 Bench Assembly Procedures

Tools required: 7/16 inch box end wrench

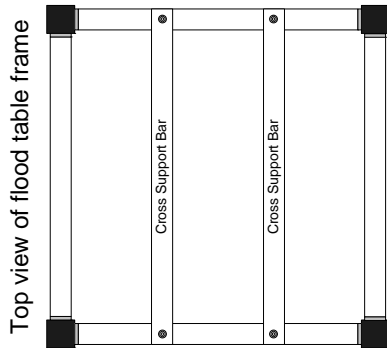
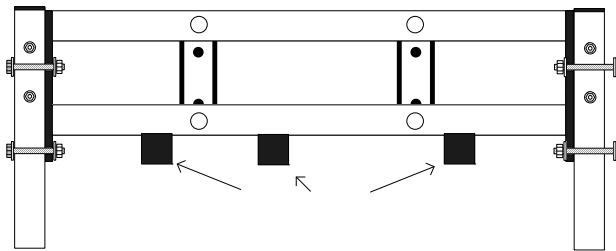
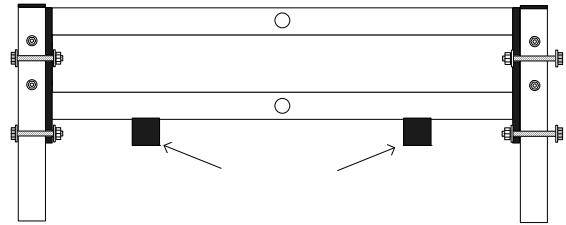
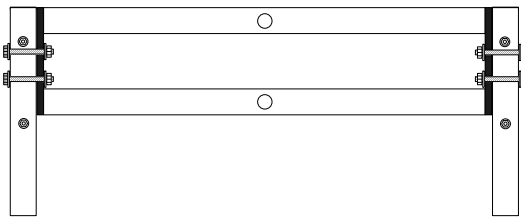
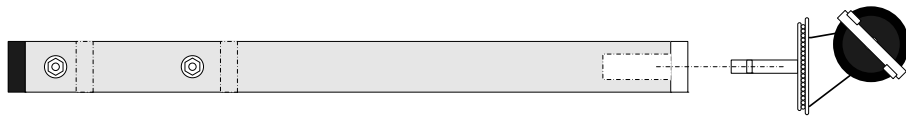
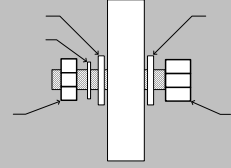
This flood table frame is designed specifically for standard white flood trays.

Please follow all assembly instructions as follows:

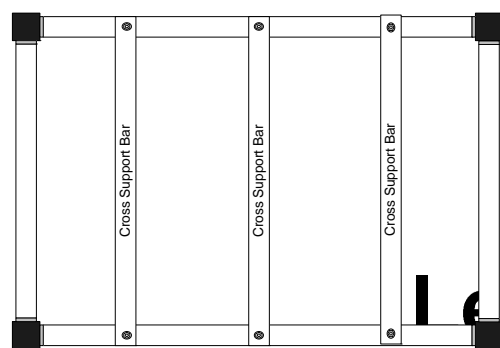
All fasteners must be tightened to 40 to 60 inch pounds:

Use 1-3/4 inch bolts for leg to rail assembly

Use 2-1/2 inch bolts for fastening cross members to the bottom of the rail.



2x4, 3x3, 4x4



3x6 & 4x6

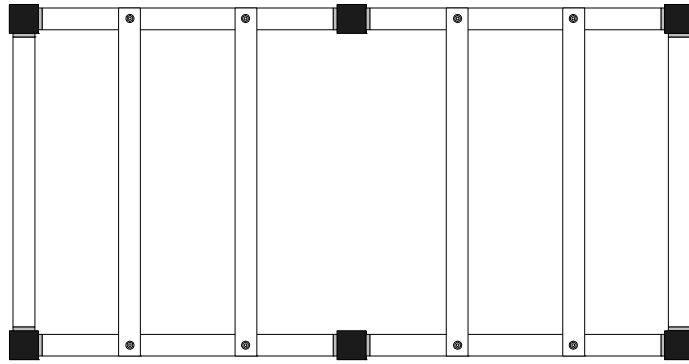
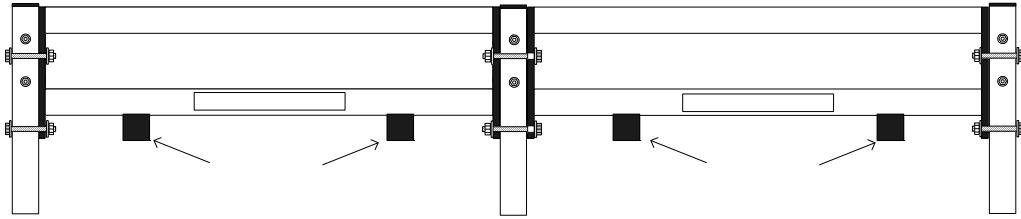
Leg assembly  
Be sure the  
frame is

## 2x8 & 4x8 Bench Assembly

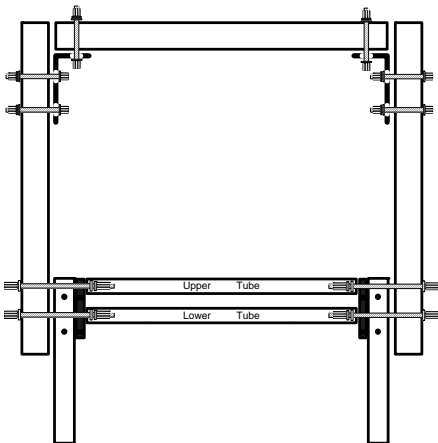
Use 1-3/4 inch bolts for leg to rail assembly

Use 2-1/2 inch bolts for fastening cross members to the bottom of the rail.

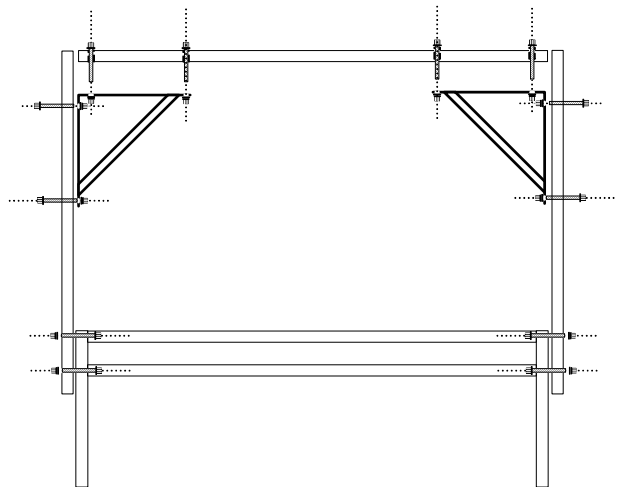
**Be sure to use the 51" rail and 49" rail side by side as per drawing.**



## Optional Light rack Assemblies



Light rack for 2x4, 3x3, 4x4

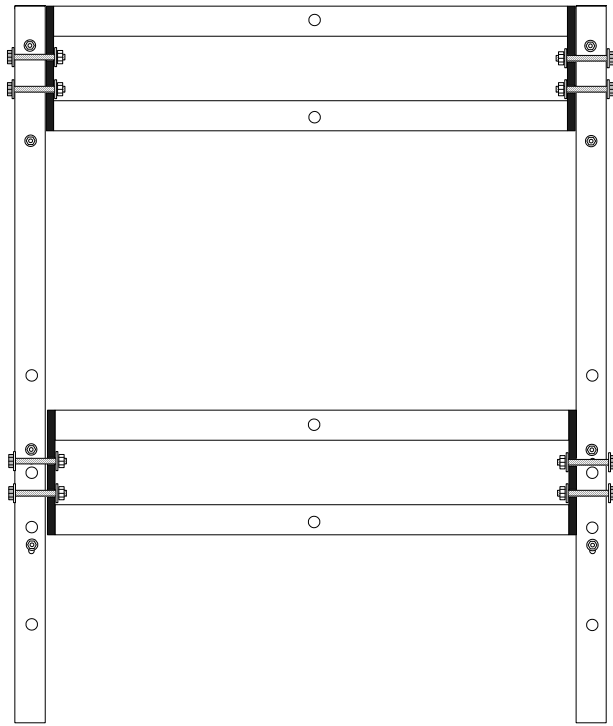


Light rack for 3x6, 4x6, 2x8 & 4x8

24" leg

51" inc

Support  
hang be



**DD End c**

